

POWER ATTACHMENTS

AVAILABLE IN
#22 HUB SIZE!

GRATER / SHREDDER ATTACHMENTS FOR HOBART

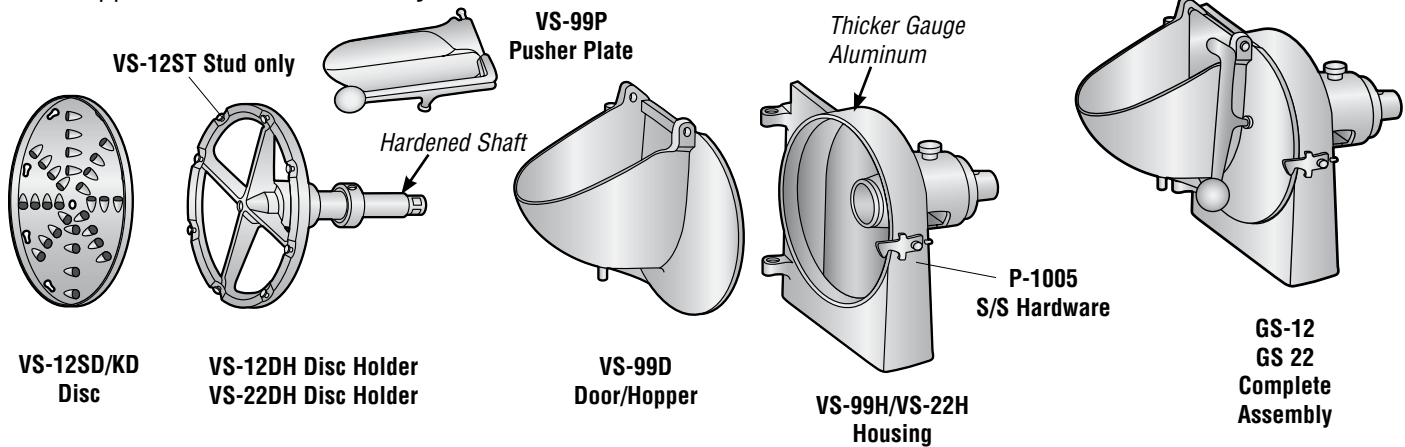
#12 and #22 Power Hubs for Mixers, Grinders, Food Cutters and Power Drives

ALFA
EXCLUSIVE



Our attachments are Precision Machined of Heavy-Gauge polished aluminum and used by many Manufacturers as original equipment. The Shafts are hardened in a unique way and machined to close tolerances for Superior Performance. These units come with safety latches, full instructions and strong packing for shipping. All units are easily disassembled for cleaning. We carry Shredding & Grating Discs in a variety of hole sizes to fit any need. These units can be used on mixers, choppers and power drives with a standard Hobart style #12 or #22 hub.

NSF approved & listed. **Warranty:** 6 months



Note: All hardware components are Stainless Steel. # 12 size Hubs are the most widely used size. Measure your equipments Hub to be sure before ordering.

Safety Note: Always Use A Pusher With These Units

ALFA #	REPLACES HOBART #	DESCRIPTION	WEIGHT
GS-12	VS9	#12 Grater/Shredder Attachment Complete with 3/16" Disc	21 lbs.
GS-22	VS9-22	#22 Grater/Shredder Attachment Complete with 3/16" Disc	21 lbs.
VS-99P	69316	Pusher/Feed Plate with Adjustable Stop	2 lbs.
VS-99D	295669	Door/Hopper with Mounting Pins	4 lbs.
VS-99H	83486-1	#12 Back Housing with Brass Bushing and Safety Latch	9 lbs.
VS-888 NEW!!	VS-9 BUILDUP	Set of #12 Door, Housing and Pusher Plate only	17 lbs.
VS-22H	24634-1	#22 Back Housing with Brass Bushing and Safety Latch	9 lbs.
VS-12DH	ML-16225-Z	#12 Disc Holder (Can be replaced with VS-12KDS)	5 lbs.
VS-22DH	ML-16226-Z	#22 Disc Holder (Can be replaced with VS-22KDS)	5 lbs.
VS-12ST	N/A	Disc Holder Stud, Non-Threaded & may not fit Hobart Disc Holder)	0.1 lb.
P-1005	N/A	Door Latch for VS-99H/VS-22H (With adjusting Set Screw)	1 lb.
VS-12SD-(Size)	77045+(Size)	SS Shredding Disc made in Taiwan (In sizes shown below)	1 lb.
VS-12GD	77049	SS Universal Hard Cheese Grater Disc made in Taiwan	1 lb.
KD-(Size)	N/A	SS Shredding Disc made in Germany (In sizes shown below)	1 lb.
KD-GD	N/A	SS Hard Cheese Grater / Bread Crumb Disc made in Germany	1 lb.

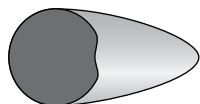
Size 12 Hub is 9/16" square

Size 22 Hub is 3/4" square

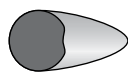
(only for older model 80 & 140 quart mixers)

SERVICE NOTE: Our Gs-12 & VS-12 Attachments fit Hobart LEGACY Model Equipment.

The Shredder/Grater Disc hole sizes noted below are not printed to scale.



1/2"



5/16"



1/4"



3/16"



5/32"



3/32"



5/64"

SS Grater Disc



For Hard
Cheese only

The above parts are sold by Alfa International as replacement parts for Hobart Mixers. Alfa is not affiliated with Hobart.