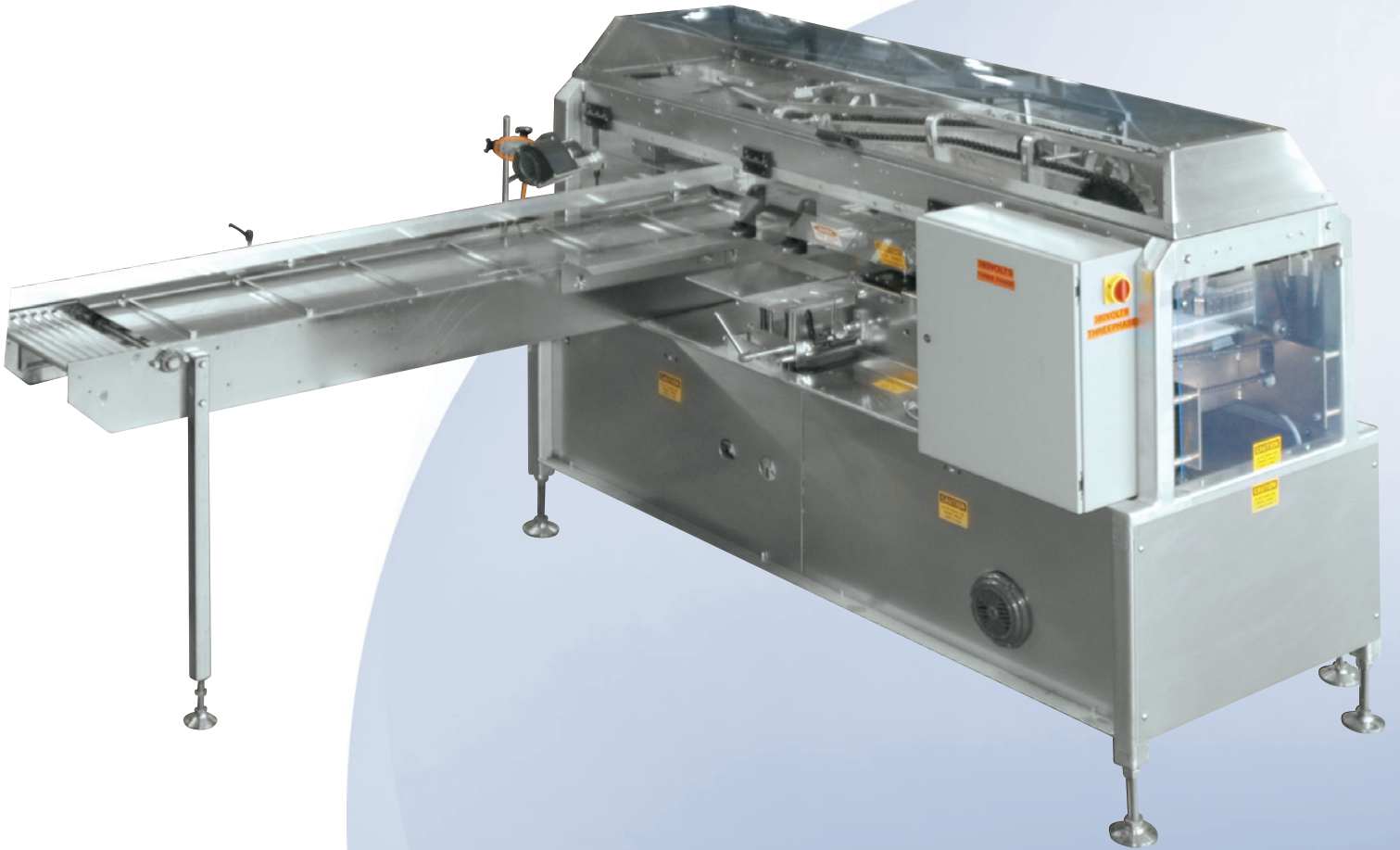


Model 77-1

BREAD BAGGER



West Coast Sales & Manufacturing

19216 S. Laurel Park Road Rancho Dominguez, CA 90220

Tel: 310.635.8121 • Fax: 310.635.8171

sales@ubeusa.com

Mid-West Sales & Manufacturing

15815 W. 110th Lenexa, KS 66219

Tel: 913.541.8700 • Fax: 913.541.0781

officeks@ubeusa.com

www.ubeusa.com



The Model 77-1 is built with a minimum of parts and simple logic to perform accurately and reliably on a wide variety of loaves.

Specifications

Speed range:

35-65 or 20-40 packages per min.

Min./max. product size range:

7" x 3" x 3" / 16" x 8" 6" (l-w-h)

Electrical:

208/230/380/460 v, 3 ph, 50/60 hz

Air requirement:

6 cfm @ 90 psi dry filtered air

Features

- Frame has electro-zinc plated finish with aluminum guards
- Paddle style top transfer
- Dual bag magazine for quick bag changes with air level control
- Simplified drive moves all functions directly from main shaft
- Three way bag scoop movement improves bag loading
- Heavy duty loaf pusher conveyor for greater mechanical reliability
- Individual Safety clutches for infeed, crossfeed and top transfer
- Empty bag sensor with stop switch
- Simple electrical and air control logic
- Design adapts to most bread types and sizes

Options

- Automatic bag closers and bread slicers available
- Roller pick-off conveyor
- Custom designs for odd products and sizes
- Infeed conveyor with side belts and loaf timer for hearth and round bread
- CE Approval, guards and coded magnetic door switches.
- UL Approval
- CSA Approval

Technical Layout:

