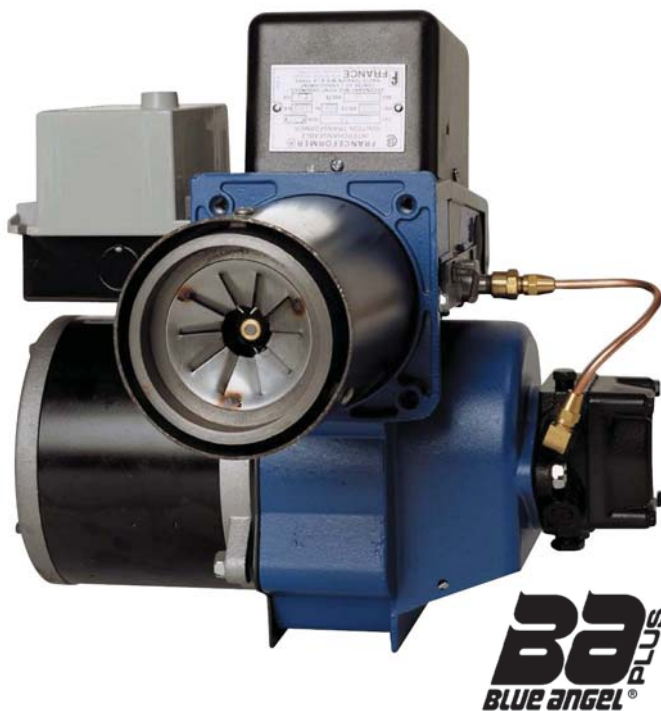




WAYNE COMBUSTION SYSTEMS  
801 GLASGOW AVE.  
FORT WAYNE, IN 46803

PHONE: (260) 425-9200  
(800) 443-4625  
FAX: (260) 424-0904

# HS Oil Burner



Manual: 21663  
Revision 15  
Publication Date: 7/26/2011

### Firing Capacity:

70,000 – 420,000 BTU/HR  
0.50 – 3.00 GPH  
(additional hardware required to fire above 2.50 GPH)

### Electrical:

Power Supply.....115V / 60Hz / 1-Phase  
Motor.....3450 RPM  
Ignition.....10,000V / 23mA

### Fuels:

No.1 or No.2 heating oil, diesel, B5, kerosene,  
or JP8 Jet Fuel

### Dimensions (Standard):

Height.....12 1/2"  
Width.....12 7/8"  
Depth.....7 3/4"  
Center Line of Tube to Floor.....7"

## INSTALLATION OF BURNER

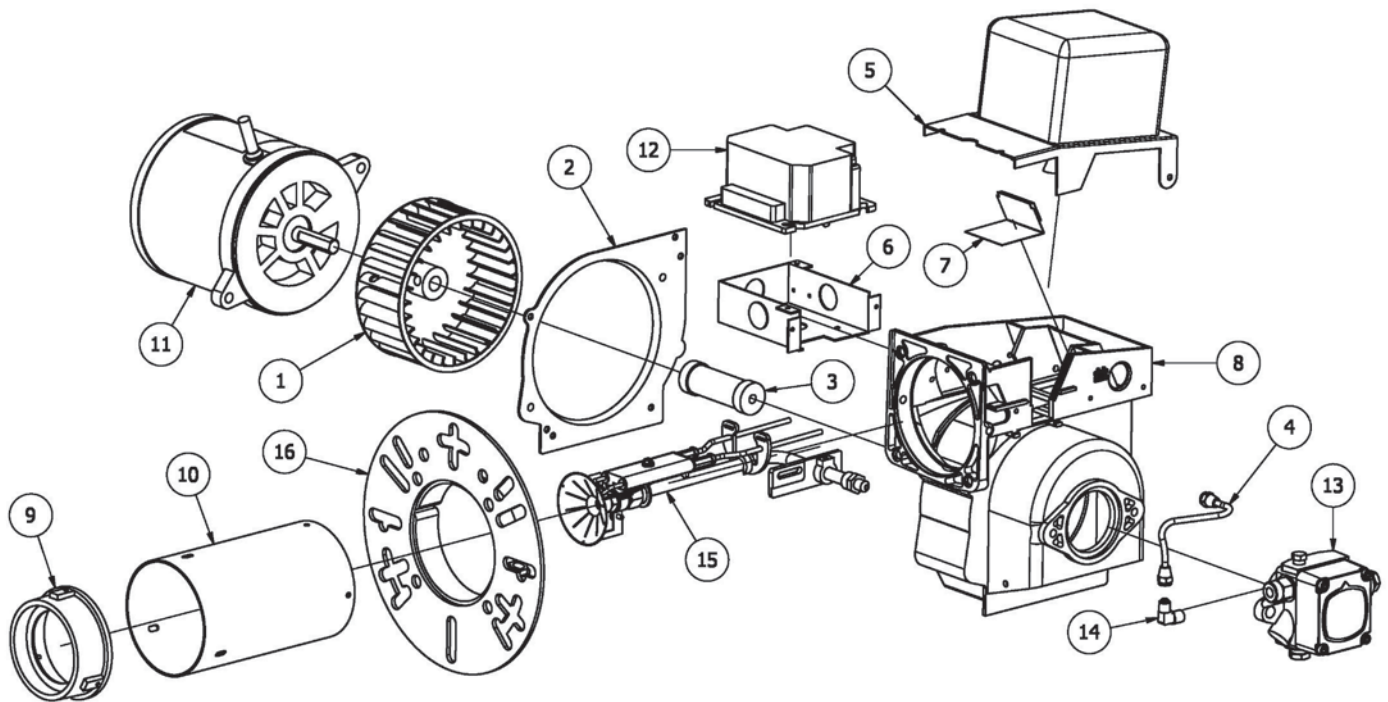
INSTALLATION OF THE BURNER MUST BE DONE BY A QUALIFIED INSTALLER IN ACCORDANCE WITH REGULATIONS OF THE NATIONAL FIRE PROTECTION STANDARD FOR OIL-BURNING EQUIPMENT, NFPA NO. 31, AND IN COMPLETE ACCORDANCE WITH ALL LOCAL CODES AND AUTHORITIES HAVING JURISDICTION.

**WARNING** INCORRECT INSTALLATION, ADJUSTMENT, OR MISUSE OF THIS BURNER COULD RESULT IN DEATH, SEVERE PERSONAL INJURY, OR SUBSTANTIAL PROPERTY DAMAGE AND WILL VOID THE WARRANTY.

A QUALIFIED INSTALLER IS THE PERSON WHO IS RESPONSIBLE FOR THE INSTALLATION AND ADJUSTMENT OF THE EQUIPMENT AND WHO IS LICENSED TO INSTALL OIL-BURNING EQUIPMENT IN ACCORDANCE WITH ALL CODES AND ORDINANCES.

**THESE INSTRUCTIONS SHOULD BE AFFIXED TO THE BURNER  
OR ADJACENT TO THE HEATING APPLIANCE.**

# BURNER REPLACEMENT PARTS – MODEL HS



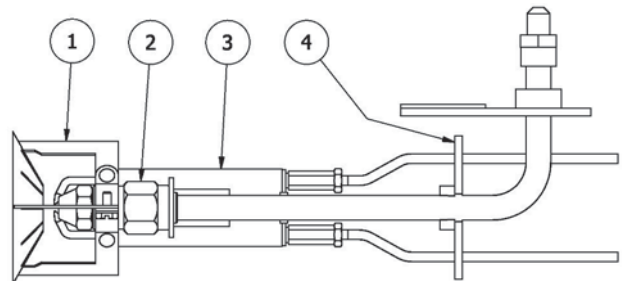
STATE SPECIFICATION NUMBER, BURNER MODEL, PART DESCRIPTION AND PART NUMBER WHEN ORDERING PARTS

No.	Description	Part No.	No.	Description	Part No.
1	Blower Wheel	21642		Air Tube 15"	21672-049
2	Motor Side Plate	21658		Air Tube 18"	21672-061
3	Coupling	100386	11	Motor, 1/7 HP, 120V/60Hz	20627
4	Oil Line Assembly 6"	14451	12	Oil Primary, 120V, 15 sec. lockout	101343-SER
5	Transformer Assembly	23101-HS	13	Fuel Pump Type A Suntec-1 Stage	13495
6	J-Box	21319		Fuel Pump Type B Suntec-2 Stage	13634
7	Baffle, Static-65°	63266-006	14	Elbow	13494
	Baffle, Static-30°	63266-013	15	Gun Assembly 6"	100926-013
8	Housing	100935-001		Gun Assembly 9"	100926-025
9	Air Cone 0.50 – 2.50 GPH	100420		Gun Assembly 12"	100931-037
	Air Cone 2.50 – 3.00 GPH	100531-001		Gun Assembly 15"	100931-049
10	Air Tube 6"	21672-013		Gun Assembly 18"	100931-061
	Air Tube 9"	21672-025	16	Adjustable Flange (Incl. Gasket)	21724-011
	Air Tube 12"	21672-037	17	Tune up Kit (Not Shown)	100950-001

## GUN ASSEMBLY DETAILS – MODEL HS

No.	Description	Part No.
1	Flamlock Assembly 10 Vane	100393-SER
2	Nozzle Adapter	12362
3	Electrode Assembly – All Units*	100989-061
4	Buss Bar Support	13276-002

\* Cut contact rods to length in field.



**NOTICE** Replacing any gun assembly components may necessitate re-calibrating of the Flamlock™ air cone (See page 6)

## BLUE ANGEL™ REPLACEMENT AIR TUBE COMBINATIONS

Includes Air Tube, Air Cone and Gun Assembly

Air Tube Combination – 6".....30884-013C	Air Tube Combination – 15".....30884-049C
Air Tube Combination – 9".....30884-025C	Air Tube Combination – 18".....30884-061C
Air Tube Combination – 12".....30884-037C	

**Phone: 260-425-9200 • Fax: 260-424-0904 or 1-800-345-0341**