



Item No. _____
 Project _____
 Quantity _____

BakerSeries Roll-in Proofer

MODEL: LRP1 Series



Model LRP1-40 Shown

MODEL / RACK CAPACITY

Model / Depth	Side Load	End Load	Double
LRP1-40	1 Rack	1 Rack	None
LRP1-50	2 Racks	1 Rack	1 Rack
LRP1-60	2 Racks	2 Racks	1 Rack
LRP1-70	3 Racks	2 Racks	1 Rack
LRP1-80	3-Racks	3 Racks	1 Racks
LRP1-90	4 Racks	4 Racks	2 Racks
LRP1-100	4 Racks	4 Racks	2 Racks
LRP1-110	5 Racks	4 Racks	2 Racks
LRP1-120	5 Racks	5 Racks	3 Racks

Short Bid Specification:

Proofer shall be an **LBC Bakery Equipment Model LRP1-** [insert 40,50,60,70,80, 90,100,110,120] 5 to 6.6 kW electrically heated, single door roll-in rack unit with: quick responding air-wash heat / humidity system; modular foam insulated cam lock panel construction; all 300 series stainless steel interior, with protective cart bumpers; heavy-duty door with magnetic seal/mechanical closure system and full width protective bar handle; simple computerized controls, door mounted at eye-level, with accurate digital temperature, humidity and time readouts; plus all the features listed and options checked.

STANDARD PRODUCT WARRANTY

One-Year Parts and Labor (contiguous US Including Alaska and Hawaii, Canada)

Construction Features

- Heavy duty stainless steel exterior with 300 Series stainless steel interior and aluminized steel top
- Walls Ceilings and door are foam insulated
- Modular wall and ceiling panels with cam lock construction
- Rapid responding air-wash heat and humidity system
- 208/120 or 240/120 VAC single or 3-phase power, field convertible

Performance Features

- 70 - 120 Degree F proofing range
- 50 - 99% humidity range
- Non-submerged calrod type heaters
- Interior bumpers protect interior walls from damage
- Lighted interior

Controls Features

- All digital controls mounted in the door at eye-level
- PID Type controls for rapid accurate response without overshoot
- 5 timers for multiple products
- Digital set Temperature, Humidity, Time
- Large LED displays



Sheet Number LRP1- 13 (rev 11/12)

Roll-In Proofer

MODEL: LRP1 Series

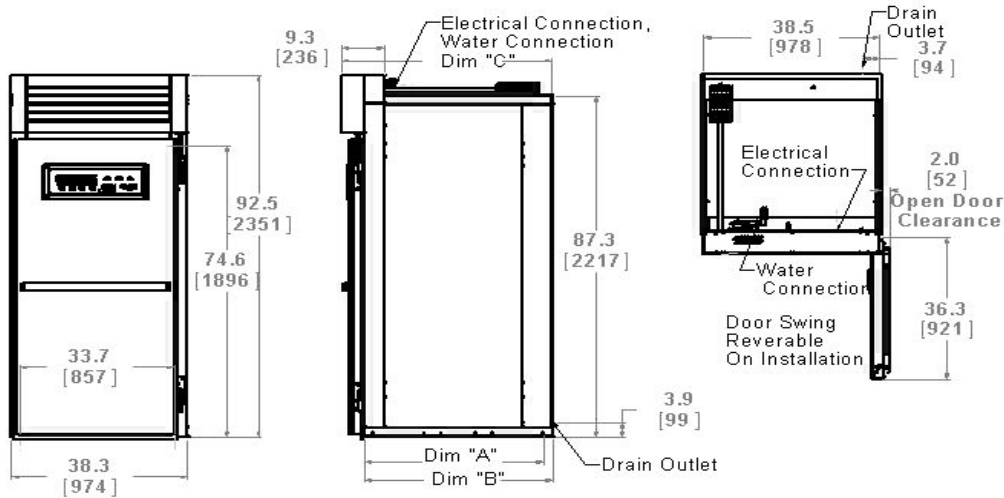
INSTALLATION REQUIREMENT

Ships KD requires on-site installation
208 or 240 VAC 1-phase or 3-phase

1/2" NPT Cold water connection
3/4" Copper vented drain connection

OPTIONS & ACCESSORIES

Stainless Steel Floor



Model	Depth			Width	Weight		Freight Class	
	Internal "A"	Ext. "B"	Over All "C"		Actual	Ship		
LRP1-40	32.1	41	49.3	38.3	892	992	85	
LRP1-50	42.1	51	59.3	38.3	991	1116		
LRP1-60	52.1	61	69.3	38.3	1094	1219		
LRP1-70	62.1	71	79.3	38.3	1197	1322		
LRP1-80	72.1	81	89.3	38.3	1321	1446		
LRP1-90	82.1	91	99.3	38.3	1424	1549		
LRP1-100	92.1	101	109.3	38.3	1527	1652		
LRP1-110	102.1	111	119.3	38.3	1651	1776		
LRP1-120	112.1	121	129.3	38.3	1754	1879		
Total Electrical Requirements By Model								
Model	Voltage	Total kW	*MCA		*Max Fuse		Water	Drain
			1-Ph	3-PH	1-Ph	3-Ph		
LRP1-(40 -120)	208 VAC	5	30	20	50	50	1/2" NPT .07 GPM @ 60 PSI	1/2"PVC; 210 F; <1 GPM Max.
	240 VAC	6.6	35	20	50	50		

This Appliance is designed to operate at normal room temperatures. Clearance from combustibles is 0.0" sides and back, For Install on non-porous surfaces only

***MCA: Minimum Circuit Ampacity. *Max Fuse: Maximum allowable circuit protector.**

IMPORTANT: Your local water conditions may damage your LBC appliance. Failure to properly treat water may result in damage and may void your warranty. Ensure that your water supply meets these minimum specification.

Parameter	Unit	Value
Alkalinity	ppm	22
Aluminium	ppb	17
Calsium	ppm	3.3
Free Chlorine Residual	ppm	0.6

Parameter	Unit	Value
Magnesium	ppm	0.65
pH	s.u.	8.5
Sodium	ppm	8.5
Total Hardness	ppm	11.9