

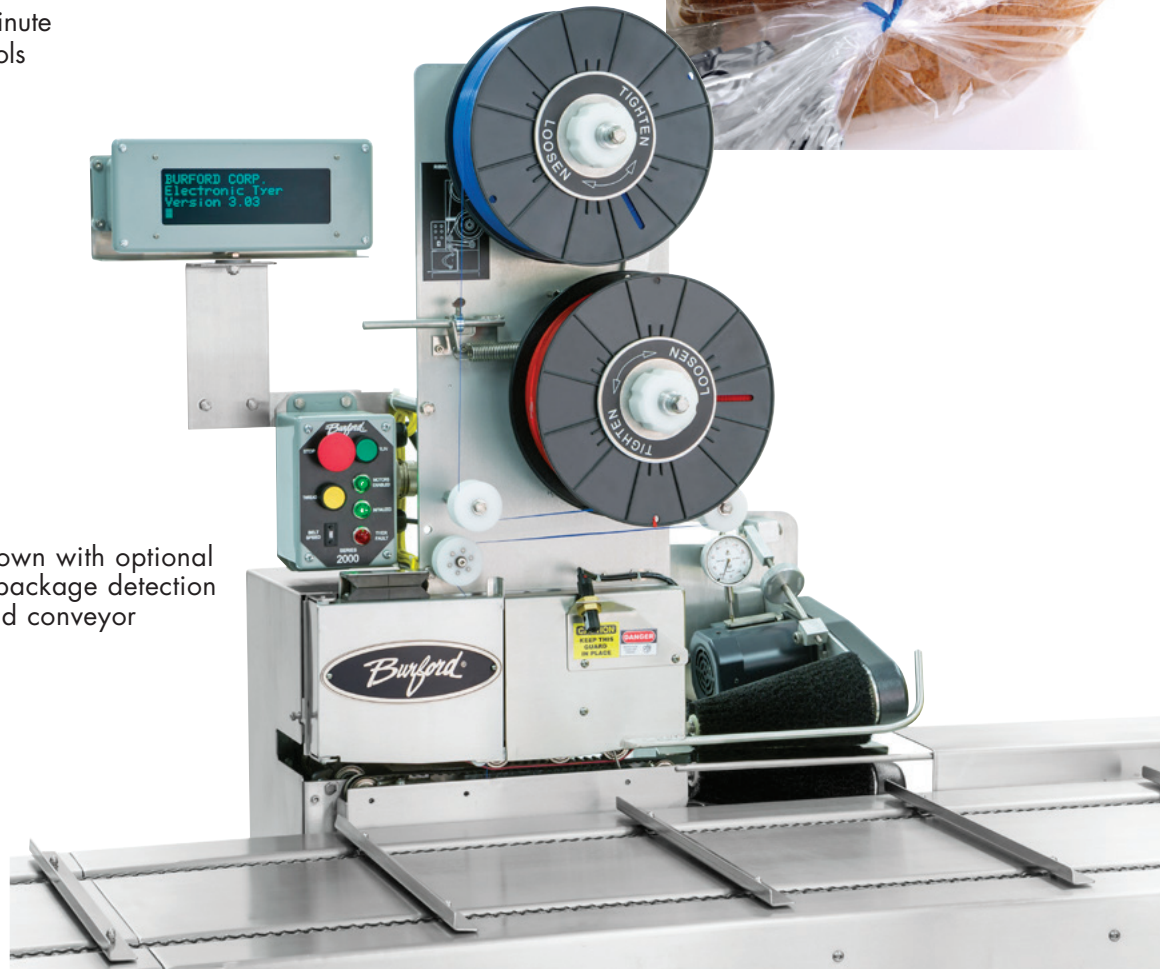
# Burford®

## Servo Tyer

**MODEL 2000 - RIGHT HAND, MODEL 2100 - LEFT HAND**

The Burford® Servo Twist Tyer provides the #1 consumer preferred closure at a lower cost per package. The model 2000 is designed to deliver years of dependable service. For optimal performance a minimum bag thickness of 1.25 Mil is required.

- Package recognition system
- Quick, easy threading
- Multiple applications
- Up to 100 bags per minute
- Simple operator controls



Model 2000 shown with optional digital display, package detection system and conveyor

PRACTICAL SOLUTIONS THROUGH INNOVATIVE TECHNOLOGIES



**CALL US TODAY 1-877-BURFORD (287-3673)**

P.O. Box 748 • Maysville, OK 73057 • 1-405-867-4467 • Fax 1-405-867-4219 • e-mail: sales@burford.com • website: www.burford.com

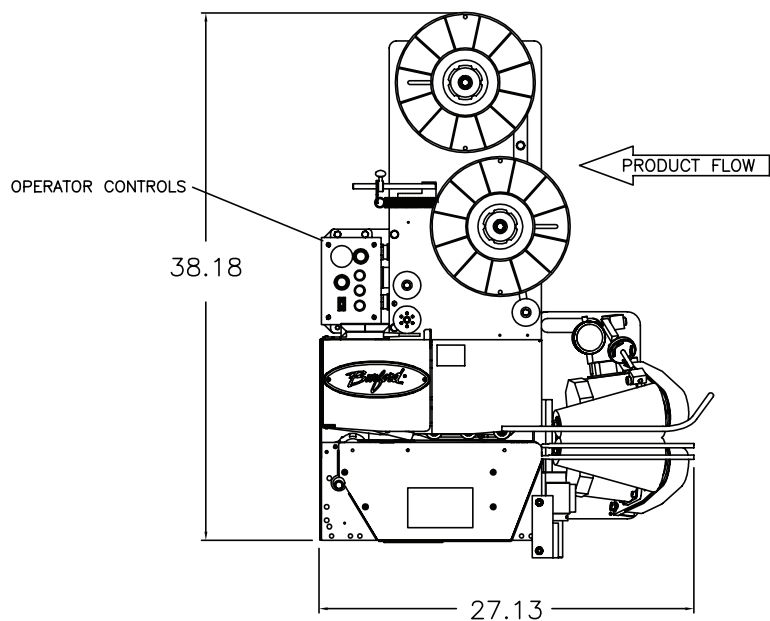
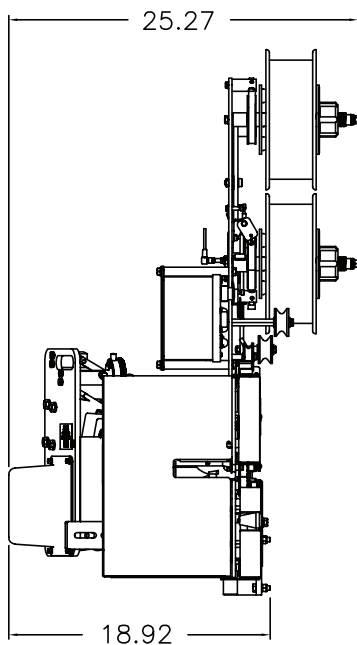
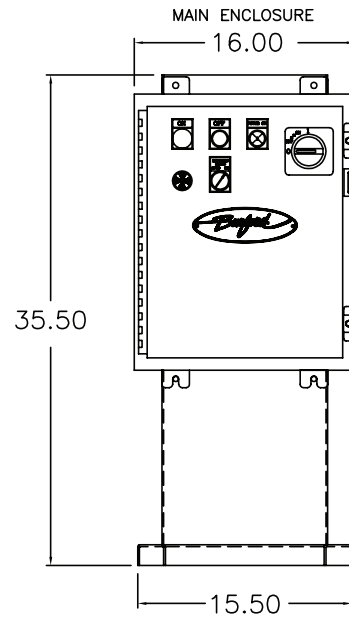
Copyright © Burford Corp. All rights reserved. Burford Corp is a registered trademark with the US Patent & Trademarks office.

# SERVO TYER



## Options:

- Digital display
- Package detection system
- Portable stands
- Speed follow kit
- Bag vacuum kit
- Blower kit
- Conveyor



## SPECIFICATIONS

### ELECTRICAL:

110 VOLTS, 60 HZ, 1 PHASE, 10 AMPS